

Product: Resistance power divider



Part Number: LPD-DC/50-2s

Specification					
No.	Parameter	Minimum	Typical	Maximum	Units
1	Frequency range	DC	-	50	GHz
2	Insertion Loss	-	-	2.5	dB
3	Phase Balance:	-	-	±6	dB
4	Amplitude Balance	-	-	±0.6	dB
5	VSWR			1.65	-
6	Power			1	W cw
7	Operating Temperature Range	-40	-	+85	°C
8	Impedance	-	50	-	Ω
9	Connector	2.4-F			
10	Preferred finish	Yellow conductive oxidation/Black/blue/grenn			

Remarks:

1. Not Include Theoretical loss 6db
2. Power rating is for load vswr better than 1.20:1

Environmental Specifications	
Operational Temperature	-40°C~+85°C
Storage Temperature	-50°C~+105°C
Vibration	25gRMS (15 degrees 2KHz) endurance, 1 hour per axis
Humidity	100% RH at 35°C, 95%RH at 40°C
Shock	20G for 11msec half sine wave, 3 axis both directions
Mechanical Specifications	
Housing	Aluminum
Connector	stainless steel
Female Contact:	gold plated beryllium bronze
Rohs	compliant
Weight	0.1kg

Outline Drawing:

All Dimensions in mm

Outline Tolerances ± 0.5(0.02)

Mounting Holes Tolerances ±0.2(0.008)

成都利德尔科技有限公司 ChengDu Leader Microwave Technology Co.,Ltd

电话: 028-65199117 传真: 028-65199116

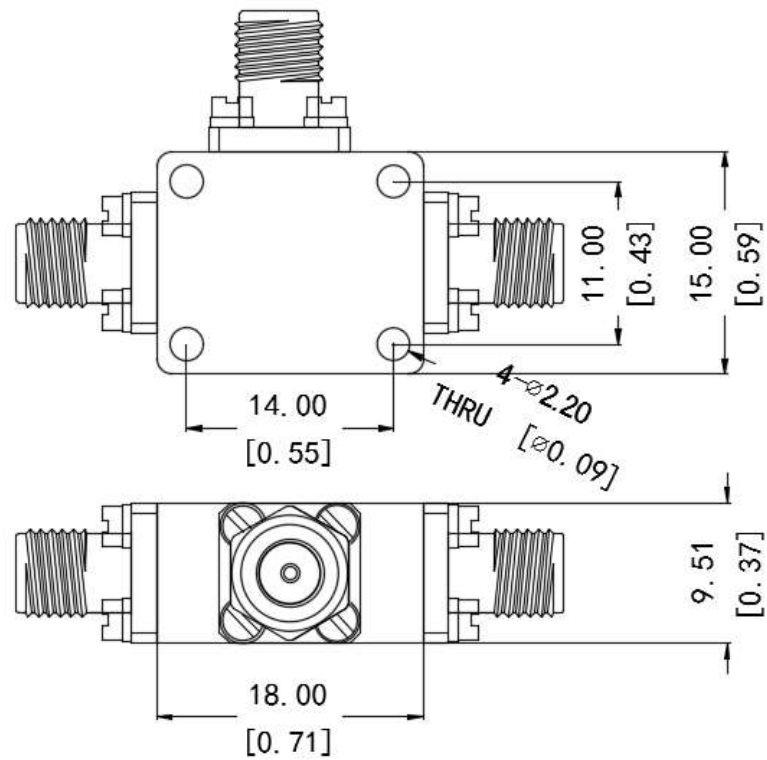
<http://www.leadermicrowave.com> sales@leader-mw.com

TEL: +86-28-65199117 FAX: +86-28-65199116

Add: 中国 成都市成华区华翰路 89 号 610000

No.89,Huahan Road, chenghua Zone Chengdu, Sichuan China Zip Code:610000

All Connectors: 2.4-Female



Test plots

成都利德尔科技有限公司 ChengDu Leader Microwave Technology Co.,Ltd

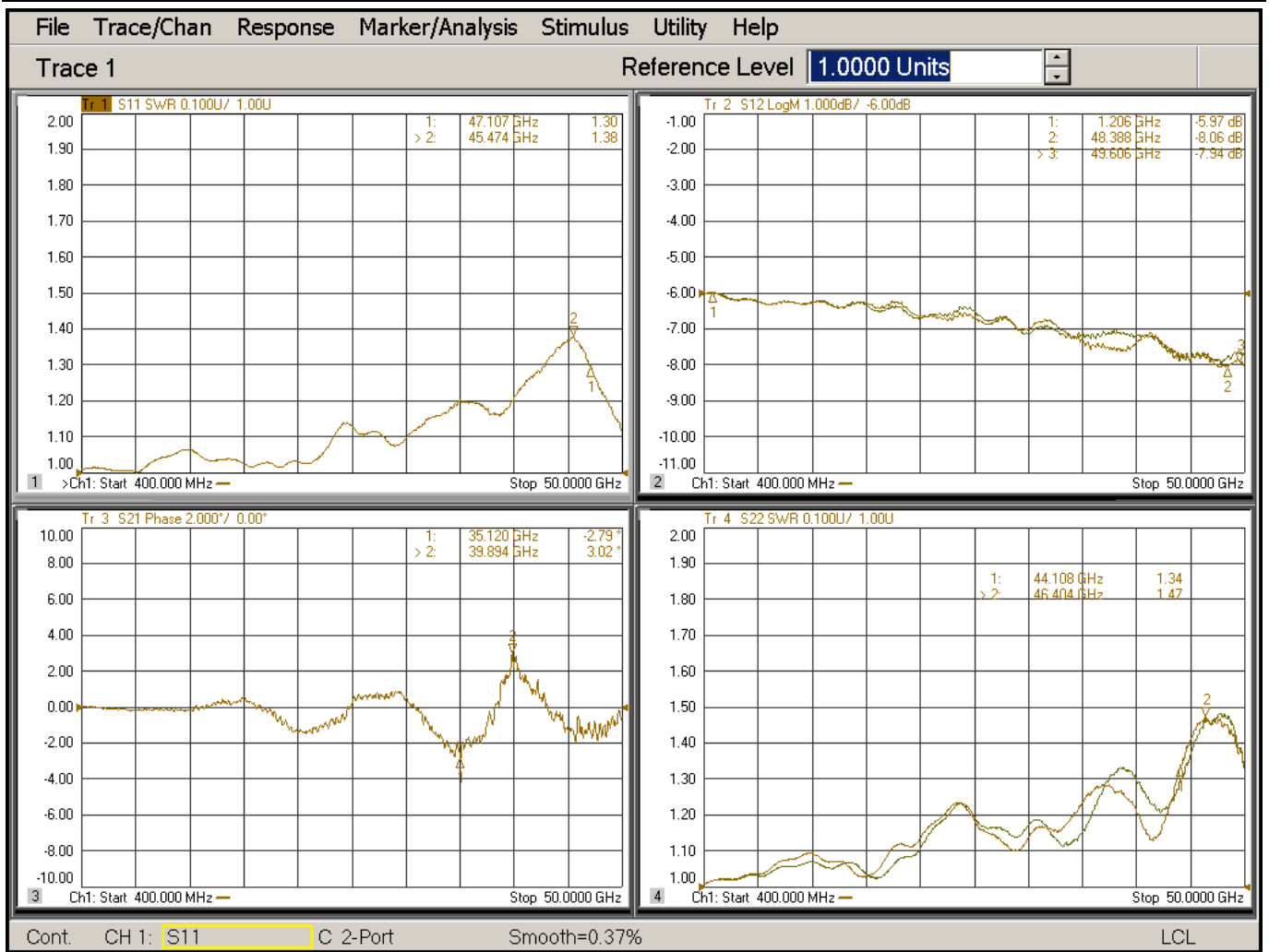
电话: 028-65199117 传真: 028-65199116

<http://www.leadermicrowave.com> sales@leader-mw.com

TEL: +86-28-65199117 FAX: +86-28-65199116

Add: 中国 成都市成华区华翰路 89 号 610000

No.89,Huahan Road, chenghua Zone Chengdu, Sichuan China Zip Code:610000



成都利德尔科技有限公司 ChengDu Leader Microwave Technology Co.,Ltd

电话: 028-65199117 传真: 028-65199116

<http://www.leadermicrowave.com> sales@leader-mw.com

TEL: +86-28-65199117 FAX: +86-28-65199116

Add: 中国 成都市成华区华翰路 89 号 610000

No.89,Huahan Road, chenghua Zone Chengdu, Sichuan China Zip Code:610000